



Network

Multi-sensor

# PNM-C34404RQPZ

4K 4Ch PTRZ + 2MP 40x PTZ AI Camera



## Key Features

- 360° Analytics events based on AI engine: Classified object (Person/Face/Vehicle/License plate)
- 360° Attributes search (Vehicle type: Car/Bus/Truck/Motorcycle/Bicycle)
- AI based loitering detection and line crossing detection
- AI based WiseNR II, Auto prefer shutter control, WiseStreamIII
- AI based smart zoom and advanced hand over
- PTRZ remote adjustment
- New design
- Expansion of alarm/audio features
- Next level cybersecurity (TPM 2.0 with FIPS 140-2 level2)
- Reinforced durability (IP66, IK10, NEMA4X)

# PNM-C34404RQPZ

4K 4Ch PTRZ + 2MP 40x PTZ AI Camera



## Specifications

Video	4CH camera	PTZ
Imaging Device	1/2.8" CMOS	
Resolution	3840x2160, 1920x1080, 1280x1024, 1280x960, 1280x720, 1024x768, 800x600, 800x448, 720x576, 720x480, 640x480, 640x360, 320x240	1920x1080, 1280x1024, 1280x960, 1280x720, 1024x768, 800x600, 800x448, 720x576, 720x480, 640x480, 640x360, 320x240
Max. Framerate	[AI On] H.265/H.264: Max. 15fps/15fps(60Hz/50Hz) MJPEG: Max. 15fps/15fps(@8MP Max. 5fps) [AI Off] H.265/H.264: Max. 20fps/20fps(60Hz/50Hz) MJPEG: Max. 20fps/20fps(@8MP Max. 5fps)	H.265/H.264: Max. 60fps/50fps(60Hz/50Hz) MJPEG: Max. 30fps/25fps(60Hz/50Hz)
Min. Illumination	Color: 0.1Lux(F1.5, 1/30sec, 30IRE) BW: 0.01Lux(F1.5, 1/30sec, 30IRE), 0Lux(IR LED on)	Color: 0.05Lux(F1.6, 1/30sec, 30IRE) BW: 0.005Lux(F1.6, 1/30sec, 30IRE), 0Lux(IR LED on)
<b>Lens</b>		
Focal Length (Zoom Ratio)	3.3~5.7mm(1.7x) motorized varifocal	4.25~170mm(40x) zoom(digital 32x, total 1280x zoom)
Max. Aperture Ratio	F1.5(Wide)~F1.9(Tele)	F1.6(Wide)~F4.95(Tele)
Angular Field of View	H: 109°(Wide)~56°(Tele) V: 55°(Wide)~31°(Tele) D: 136°(Wide)~65°(Tele)	H: 65.66°(Wide)~1.88°(Tele) V: 39.40°(Wide)~1.09°(Tele)
Min. Object Distance	1.3m(4.27ft)	5m(16.4ft)
Focus Control	Simple focus	Oneshot AF, Focus save
Lens Type	Fixed iris	DC auto iris
<b>Pan / Tilt / Rotate</b>		
Pan / Tilt / Rotate Range	Remote adjustment(Max. 200cycles) 0°~360° / 9°~65° / 0°~90° * Tilt angle with Shield IR: 40°~65°	
Pan Range	360° Endless	
Pan Speed	Max: 700°/sec, Manual: 0.024°/sec~250°/sec	
Tilt Range	0°~110°	
Tilt Speed	Max: 500°/sec, Manual: 0.024°/sec~250°/sec	
Sequence	Preset(300ea), Swing, Group(6ea), Trace, Tour, Auto Run, Schedule	
Preset Accuracy	Up to ±0.1°, Pan/Tilt correction	
<b>Operational</b>		
Camera Title	Displayed up to 85 characters	
Direction Indicator	Support	
Day & Night	Auto(ICR)	
Backlight Compensation	BLC, WDR, SDR	BLC, HLC, WDR, SDR
Wide Dynamic Range	120dB	extremeWDR(150dB)

Design and specifications are subject to change without notice. The latest product information / specification can be found at [HanwhaVision.com](http://HanwhaVision.com)

Hanwha Vision is formerly known as Hanwha Techwin.

Digital Noise Reduction	SSNR V , WiseNR II (Based on AI engine)	
Digital Image Stabilization		Support
Defog		Support
Motion Detection	8ea, 8point Polygonal zones	
Privacy Masking	6ea, rectangular zones - Color: Grey/Black/White	32ea, 4point quadrangle zones - Color: Grey/Green/Red/Blue/Black/White - Mosaic
Gain Control	Low / Middle / High	Off / Max Gain / Manual
White Balance	ATW / AWC / Manual / Indoor / Outdoor	ATW / Narrow ATW / AWC / Manual / Indoor / Outdoor / Mercury / Sodium
LDC	Support	
Electronic Shutter Speed	Minimum / Maximum / Anti flicker(2~1/12,000sec) Prefer shutter control(Based on AI engine)	
Video Rotation	Flip, Mirror, Hallway view(90°/270°) - Each channel separately	Flip, Mirror
Analytics	Classified object type: Person/Face/Vehicle/License plate Attributes: Vehicle(Type: car/bus/truck/motorcycle/bicycle) Support BestShot Analytics events based on AI engine - Object detection, Virtual line*(Crossing/Direction), Virtual area*(Loitering/Intrusion/Enter/Exit) Analytics events - Defocus detection, Motion detection, Tampering, Virtual area(Appear/Disappear)  * Some of the video analytics only works with people and vehicle detection	Analytics events - Motion detection, Fog detection, Tampering, Virtual area(Loitering/Intrusion/Enter/Exit/Appear/Disappear), Virtual line(Crossing/Direction)  * Support Audio detection, Sound classification via optional I/O box(SPM-4210)
Alarm I/O	Via optional I/O box SPM-4210	
Alarm Triggers	Analytics, Network disconnect, Alarm input(Via optional I/O box SPM-4210), App event, Schedule, MQTT subscription	
Alarm Events	When alarm trigger occurred - File upload(image): e-mail/FTP - Notification: e-mail - Recording: SD/SDHC/SDXC or NAS recording at event triggers - Alarm output(Via optional I/O box SPM-4210) - Handover(PTZ preset, Send message by HTTP/HTTPS/TCP) - Smart zoom - MQTT: publication	
Audio In	Via optional I/O box SPM-4210	
Audio Out	Via optional I/O box SPM-4210	
IR Viewable Length	20m(65.62ft)	200m(656.17ft)
Water Removal		Support(Spin dry)
Auto Tracking		Object auto tracking(Person/Vehicle), Target lock tracking
<b>Network</b>		
Ethernet	Metal shielded RJ-45(10/100/1000BASE-T)	
Video Compression	H.265/H.264: Main/High, MJPEG	H.265/H.264: Main/Baseline/High, MJPEG
Smart Codec	Manual(5ea area), WiseStream II , WiseStreamIII(Based on AI engine)	
Video Quality Adjustment	H.264/H.265: Target bitrate level control MJPEG: Target bitrate level control	
Bitrate Control	H.264/H.265: CBR or VBR MJPEG: VBR	
Streaming	Unicast(10 users) / Multicast Multiple streaming(Up to 3 profiles)	Unicast(20 users) / Multicast Multiple streaming(Up to 10 profiles)
Protocol	IPv4, IPv6, TCP/IP, UDP/IP, RTP(UDP), RTP(TCP), RTCP, RTSP, NTP, HTTP, HTTPS, SSL/TLS, DHCP, FTP, SMTP, ICMP, IGMP, SNMPv1/v2c/v3(MIB-2), ARP, DNS, DDNS, QoS, UPnP, Bonjour, LLDP, SRTP(TCP, UDP Unicast), MQTT	

Design and specifications are subject to change without notice. The latest product information / specification can be found at [HanwhaVision.com](http://HanwhaVision.com)

Hanwha Vision is formerly known as Hanwha Techwin.

Application Programming Interface	ONVIF Profile S/T/M SUNAPI(HTTP API) Wisenet open platform
-----------------------------------	--

### Security

OS / Firmware Protect	Secure boot, Signed firmware, Firmware encryption
User authentication	Digest Authentication
Network authentication	802.1X Authentication(EAP-TLS, EAP-LEAP, EAP-PEAP MSCHAPv2)
Secure Communication	HTTPS, SRTP, WSS(Websocket secure)
Access Control	IP address filtering
Data Protect	Authentication information encryption, ZIP compression encryption
Audit	User Access/System/Event log
Device ID	Device Certificate(Hanwha Private Root CA)
Secure Storage	TPM 2.0 with FIPS 140-2 level2

### General

Webpage Language	English, Korean, Chinese, French, Italian, Spanish, German, Japanese, Russian, Portuguese, Czech, Polish, Turkish, Dutch, Hungarian, Greek
Edge Storage	Micro SD/SDHC/SDXC 2slot 1TB(512GBx2)
Memory	8GB RAM, 1GB Flash 4GB RAM, 512MB Flash

### Environmental & Electrical

Operating Temperature / Humidity	-40°C~+50°C(-40°F~+122°F) * Start up should be done at above -30°C 0~95% RH(non-condensing)
Storage Temperature / Humidity	-50°C~+60°C(-58°F~+140°F) / 0~95% RH
Certification	IP66, NEMA4X, IK10
Input Voltage	HPoE(IEEE802.3bt type 4, Class 8)
Power Consumption	HPoE: Max 64.00W, typical 45.00W

### Mechanical

Color / Material	White / Aluminum Bubble: Hard-coated dome 4CH and PTZ
RAL Code	RAL9003
Product Dimensions / Weight	ø379.8x301.9mm(ø14.95x11.89"), 7900g(17.42 lb)
Hanging Mount (Dome)	Included

### Certifications & Standards

EMC	FCC 47 CFR 15 Subpart B Class A ICES-3(A)/NMB-3(A) CE/UKCA - EN 55032 Class A, EN 50130-4, EN 61000-3-2, EN 61000-3-3 VCCI CISPR 32 Class A RCM AS/NZS CISPR 32 Class A
Safety	UL 62368-1, CAN/CSA C22.2 NO. 62368-1 IEC/EN 62471
Environment	IEC/EN 63000 IEC/EN 60529 IP66, IEC/EN 62262 IK10 NEMA 250 type 4X

### DORI (EN62676-4 standard)

Detect (25PPM/ 8PPF)	Wide: 54.8m(179.73ft) / Tele: 144.4m(473.88ft)	Wide: 59.5m(195.3ft) / Tele: 2340.4m(7678.4ft)
Observe (63PPM/ 19PPF)	Wide: 21.9m(71.89ft) / Tele: 57.8m(189.55ft)	Wide: 23.8m(78.1ft) / Tele: 936.2m(3071.4ft)
Recognize (125PPM/ 38PPF)	Wide: 11.0m(35.95ft) / Tele: 28.9m(94.78ft)	Wide: 11.9m(39.1ft) / Tele: 468.1m(1535.7ft)

Design and specifications are subject to change without notice. The latest product information / specification can be found at [HanwhaVision.com](http://HanwhaVision.com)

Hanwha Vision is formerly known as Hanwha Techwin.



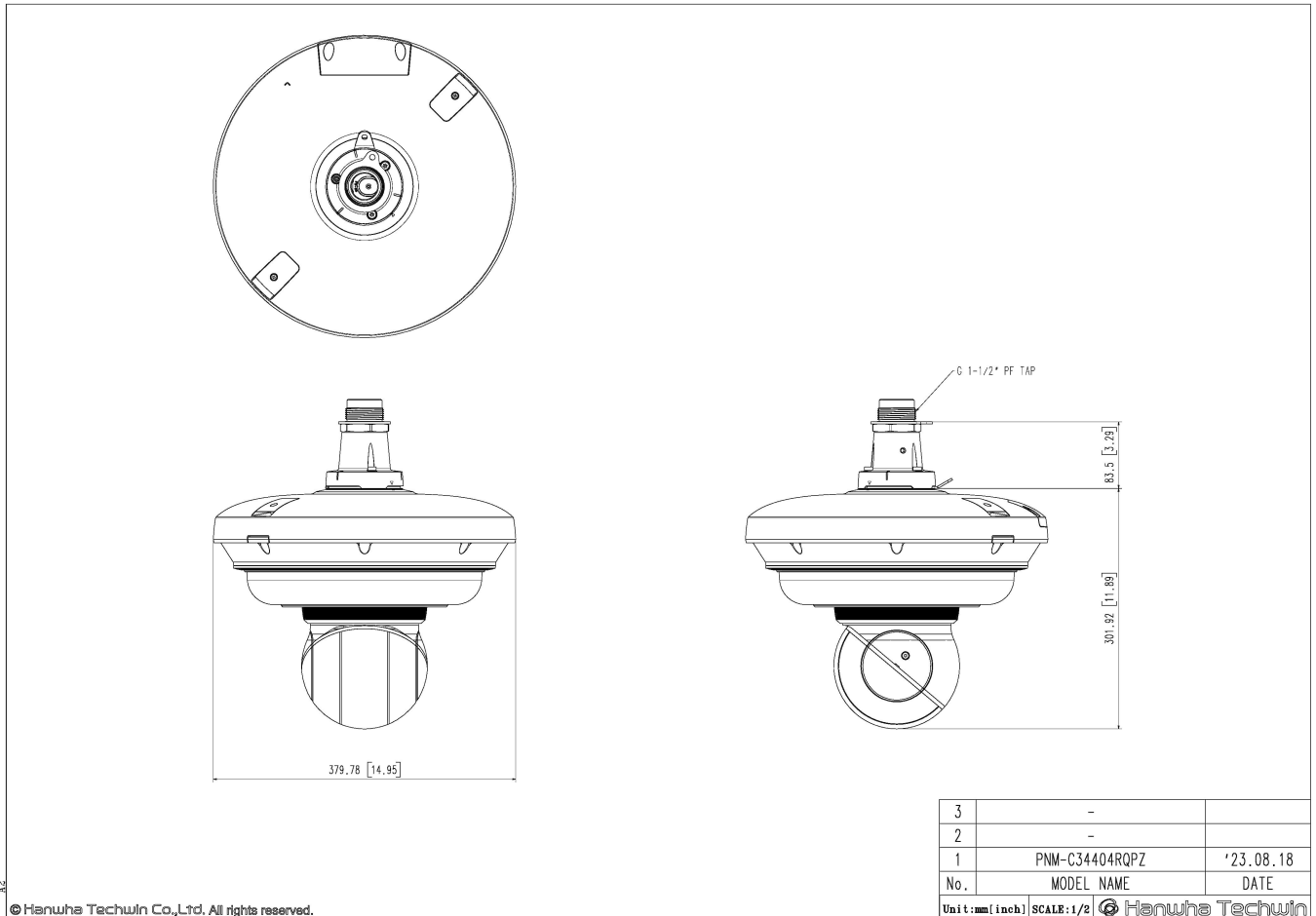
# PNM-C34404RQPZ

4K 4Ch PTRZ + 2MP 40x PTZ AI Camera



CAD

Unit:mm [inch]



© Hanwha Techwin Co.,Ltd. All rights reserved.