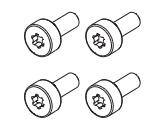
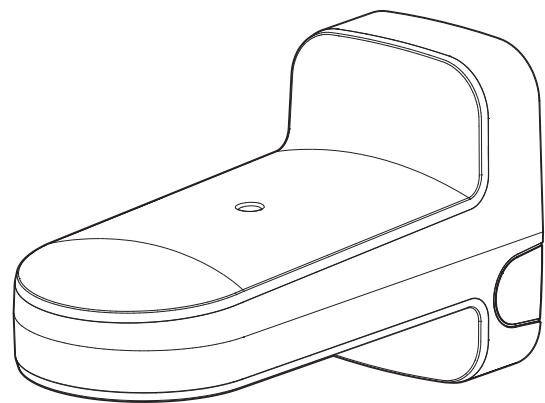


# Wall&Pole Mount

SBP-250WMW

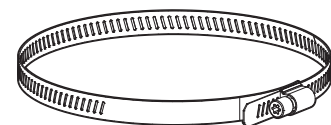


## Package



Screws (4EA)

## Optional Accessory



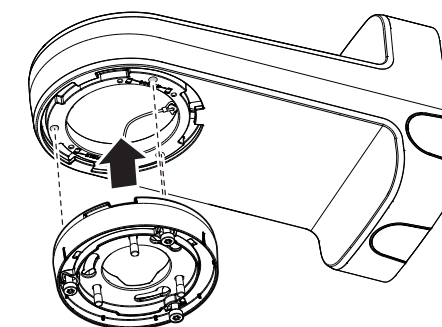
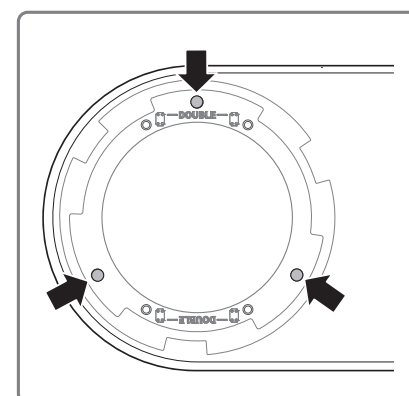
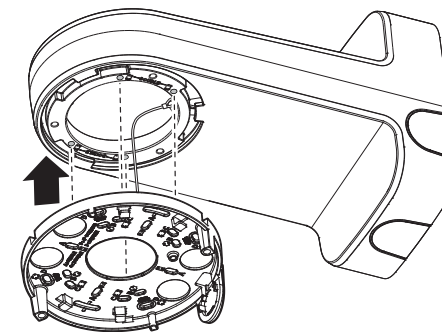
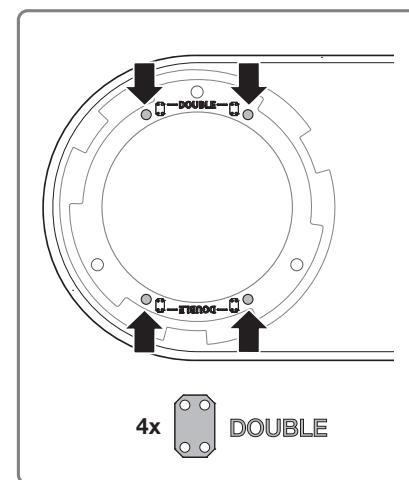
Steel Strap:  
SBP-060S (600mm)  
SBP-150S (1500mm)

PT01-006088A(v1.1)

## Installation Precautions

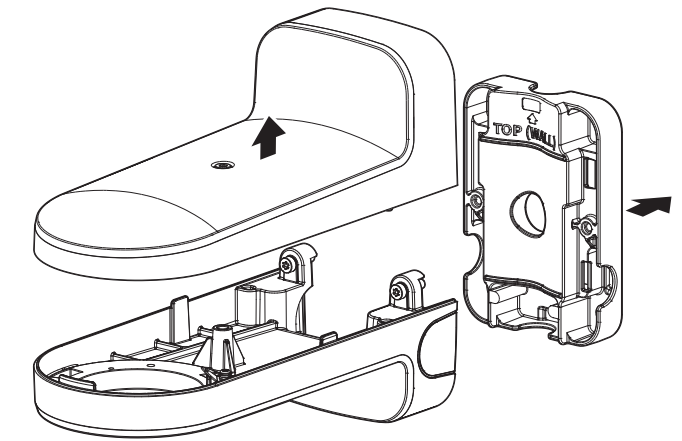
- Make sure that the installation place can endure at least 4 times of the total weight of the Wall&Pole Mount and Camera.
- Each anchor screw must be capable of withstanding an extraction force of 700 kg.

## Mounting Hole Guide

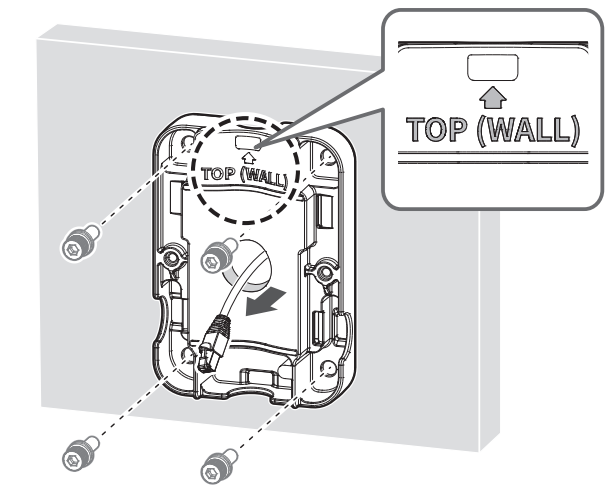


## Installation

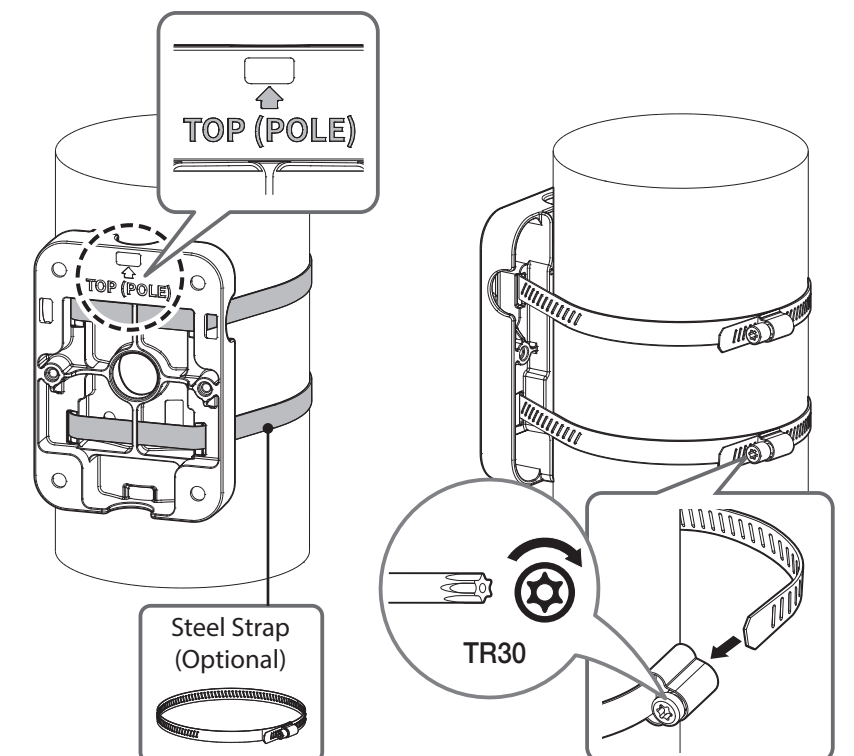
1



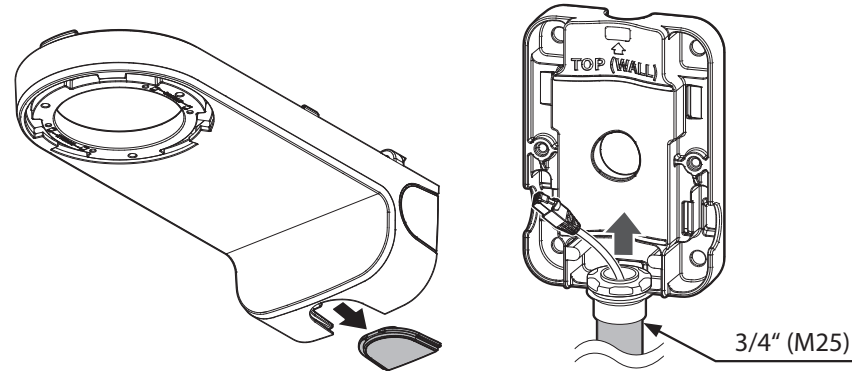
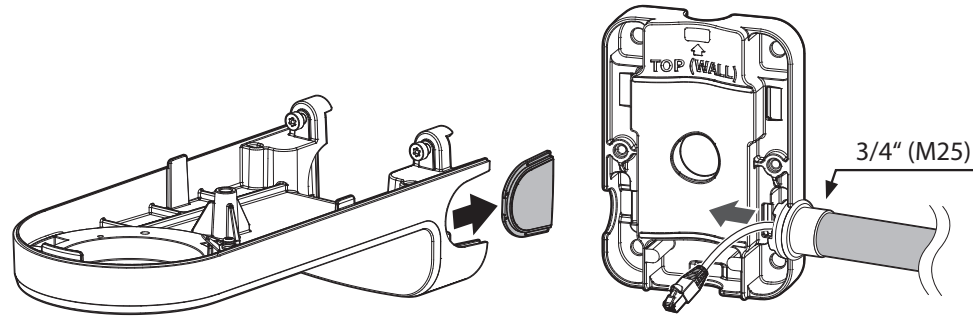
2 (Wall)



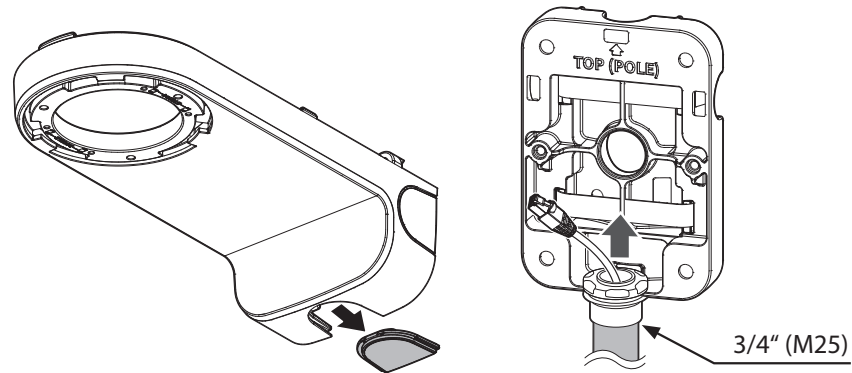
(Pole)



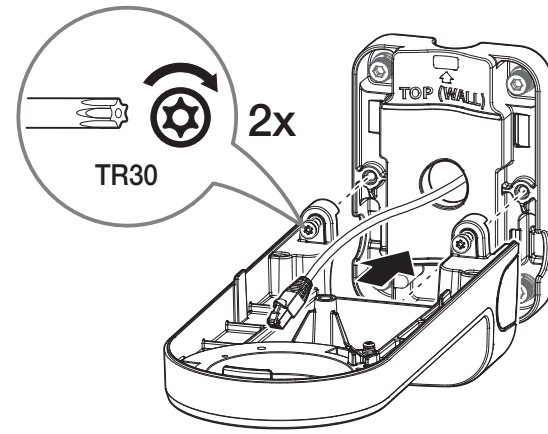
When using conduit (3/4")



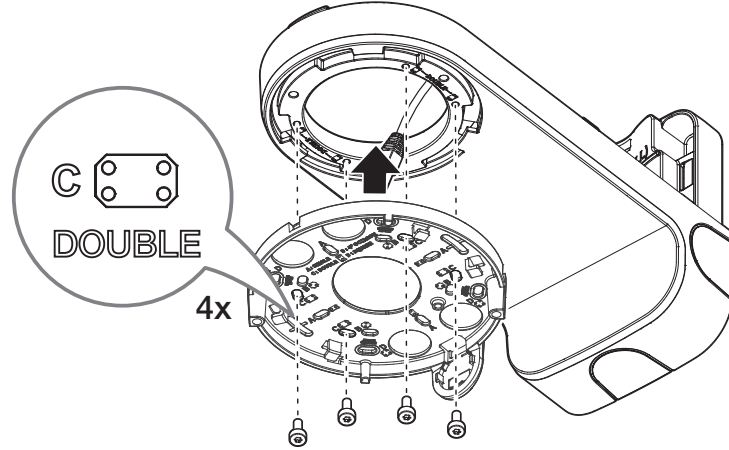
❖ If installed on a pole, conduit installation is only possible at the bottom.



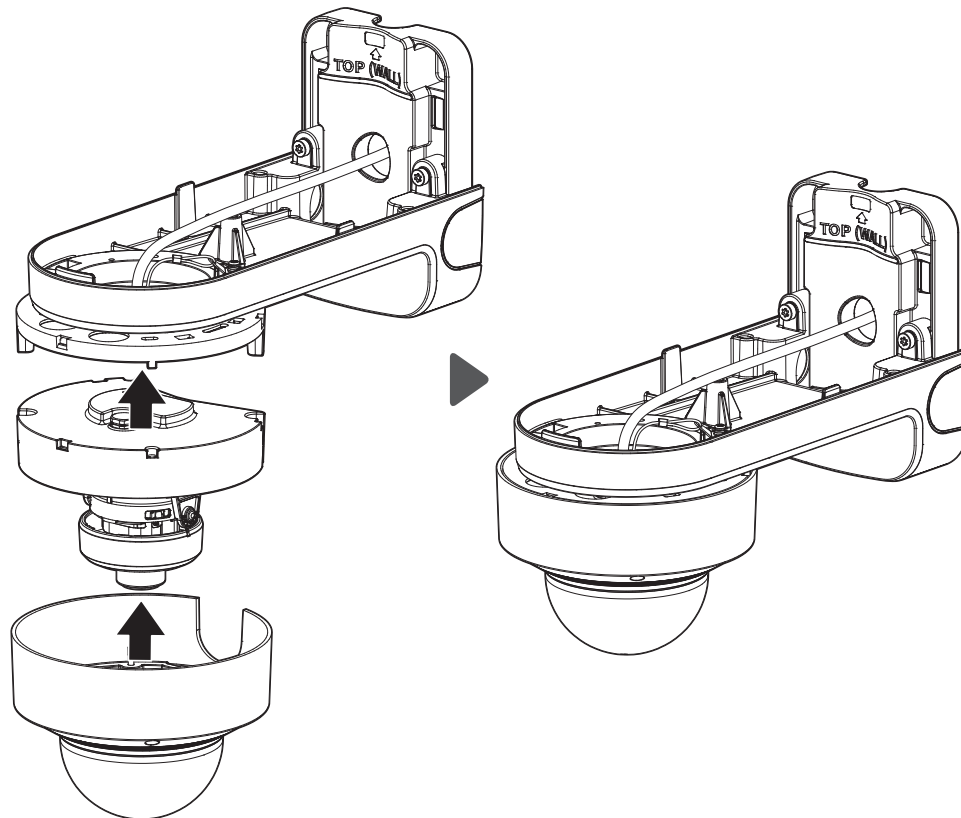
3



4



5



6

