



Network

PTZ

# QNP-6320R

2MP 32x IR PTZ Camera



## Key Features

- Max. 2MP resolution
- 4.44~142.6mm (32x) lens
- Max. IR viewable length 100m (328.08ft)
- Day & Night (ICR), WDR, DIS (Built-in gyro sensor)
- Intelligent Analytics
- H.264, H.265, MJPEG codec, WiseStreamII
- Micro SD/SDHC/SDXC 1slot 256GB
- IP66, IK10, NEMA4X

# QNP-6320R

2MP 32x IR PTZ Camera



## Specifications

| Video                       |   |
|-----------------------------|---|
| Imaging Device              | 1/2.8" CMOS   |
| Resolution                  | 1920x1080, 1280x1024, 1280x960, 1280x720, 1024x768, 800x600, 800x448, 720x576, 720x480, 640x480, 640x360, 320x240 |
| Max. Framerate              | H.265/H.264: Max. 60fps/50fps(60Hz/50Hz)<br>MJPEG: Max. 30fps/25fps(60Hz/50Hz)                                    |
| Min. Illumination           | Color: 0.05Lux(F1.6, 1/30sec, 30IRE)<br>BW: 0.005Lux(F1.6, 1/30sec, 30IRE), 0Lux(IR LED On)                       |
| Lens                        |   |
| Focal Length (Zoom Ratio)   | 4.44~142.6mm(32x) zoom (digital 32x, total 1024x zoom)  |
| Max. Aperture Ratio         | F1.6(Wide)~F4.4(Tele)   |
| Angular Field of View       | H: 64.66°(Wide)~2.29°(Tele)<br>V: 38.08°(Wide)~1.30°(Tele)  |
| Min. Object Distance        | Wide: 1.5m(4.92ft) / Tele: 2m(6.56ft)   |
| Focus Control               | Oneshot AF, Focus save  |
| Lens Type                   | DC auto iris  |
| Pan / Tilt / Rotate         |   |
| Pan Range                   | 360° Endless  |
| Pan Speed                   | Preset: 700°/sec, Manual: 0.024°/sec~250°/sec   |
| Tilt Range                  | 110°(90°~-20°)  |
| Tilt Speed                  | Preset: 300°/sec, Manual: 0.024°/sec~250°/sec   |
| Sequence                    | Preset(300ea), Swing, Group(6ea), Trace, Tour, Auto Run, Schedule   |
| Preset Accuracy             | ±0.2°   |
| Operational                 |   |
| Camera Title                | Displayed up to 85 characters   |
| Direction Indicator         | Support   |
| Day & Night                 | Auto(ICR)   |
| Backlight Compensation      | BLC, HLC, WDR, SSSDR  |
| Wide Dynamic Range          | 120dB   |
| Digital Noise Reduction     | SSNR V  |
| Digital Image Stabilization | Support(built-in gyro sensor)   |
| Defog                       | Support   |
| Motion Detection            | 8ea, 8point polygonal zones   |
| Privacy Masking             | 32ea, 4point quadrangle zones<br>- Color: Grey/Green/Red/Blue/Black/White<br>- Solid/Mosaic                       |
| Gain Control                | Low / Middle / High   |

Design and specifications are subject to change without notice. The latest product information / specification can be found at [HanwhaVision.com](http://HanwhaVision.com)

Hanwha Vision is formerly known as Hanwha Techwin.

## QNP-6320R

|                          |   |
|--------------------------|---|
| White Balance            | ATW / AWC / Manual / Indoor / Outdoor / Mercury / Sodium  |
| Electronic Shutter Speed | Minimum / Maximum / Anti flicker (2~1/12,000sec)  |
| Video Rotation           | Flip, Mirror  |
| Analytics                | Analytics events<br>- Directional detection, Motion detection, Enter/Exit, Tampering, Virtual line<br>* Audio detection(Via optional I/O box SPM-4210)  |
| Alarm Triggers           | Analytics, Network disconnect<br>* Alarm input((Via optional I/O box SPM-4210)  |
| Alarm Events             | When alarm trigger occurred<br>- File upload(image) : e-mail/FTP<br>- Notification : e-mail<br>- Recording : SD/SDHC/SDXC or NAS recording at event triggers<br>- Alarm output<br>- Handover(PTZ preset, Send message by HTTP/HTTPS/TCP)<br>* Alarm output / Audio clip playback(Via optional I/O box SPM-4210) |
| Light Type               | IR LED (850nm)  |
| IR Viewable Length       | 100m(328.08ft)  |
| Auto Tracking            | Support   |

### Network

|                                   |  |
|-----------------------------------|--|
| Ethernet                          | Metal shielded RJ-45(10/100BASE-T)   |
| Video Compression                 | H.265/H.264: Main/High, MJPEG  |
| Smart Codec                       | Manual(5ea area), WiseStream II  |
| Bitrate Control                   | H.264/H.265: CBR or VBR<br>MJPEG: VBR  |
| Streaming                         | Unicast(20 users) / Multicast<br>Multiple streaming(Up to 10 profiles)   |
| Protocol                          | IPv4, IPv6, TCP/IP, UDP/IP, RTP(UDP), RTP(TCP), RTCP, RTSP, NTP, HTTP, HTTPS, SSL/TLS, DHCP, FTP, SMTP, ICMP, IGMP, SNMPv1/v2c/v3(MIB-2), ARP, DNS, DDNS, QoS, UPnP, Bonjour, LLDP, SRTP (TCP, UDP Unicast), NTCIP1205 |
| Application Programming Interface | ONVIF Profile S/G/T<br>SUNAPI(HTTP API)<br>Wisenet open platform   |

### Security

|                        |   |
|------------------------|---|
| OS / Firmware Protect  | Firmware encryption   |
| User authentication    | Digest Authentication, Privent brute-force attack                 |
| Network authentication | 802.1X Authentication(EAP-TLS, EAP-LEAP, EAP-PEAP MSCHAPv2)       |
| Secure Communication   | HTTPS, SRTP, WSS(Websocket secure)                                |
| Access Control         | IP address filtering  |
| Data Protect           | Authentication information encryption, ZIP compression encryption |
| Audit                  | User Access/System/Event log                                      |
| Device ID              | Device Certificate(Hanwha Techwin Root CA, pre-installed)         |

### General

|                  |   |
|------------------|---|
| Webpage Language | English, Korean, Chinese, French, Italian, Spanish, German, Japanese, Russian, Swedish, Portuguese, Czech, Polish, Turkish, Dutch, Hungarian, Greek |
| Edge Storage     | Micro SD/SDHC/SDXC 1slot Max. 256GB   |
| Memory           | 1GB RAM, 256MB Flash  |

### Environmental & Electrical

|                                  |  |
|----------------------------------|--|
| Operating Temperature / Humidity | -35°C~+55°(-31°F ~ +131°F)<br>* Start up should be done at above -30°C<br>0~95% RH(non-condensing) |
| Storage Temperature / Humidity   | -50°C~+60°C(-58°F~+140°F) / 0~95% RH   |

Design and specifications are subject to change without notice. The latest product information / specification can be found at [HanwhaVision.com](http://HanwhaVision.com)

Hanwha Vision is formerly known as Hanwha Techwin.

## QNP-6320R

|                   |                                 |
|-------------------|---------------------------------|
| Certification     | IP66, IK10, NEMA4X              |
| Input Voltage     | PoE+(IEEE802.3at, Class4)       |
| Power Consumption | PoE+: Max. 25.5W, typical 14.7W |

### Mechanical

|                             |   |
|-----------------------------|---|
| Color / Material            | Body : White / Aluminum<br>Head : Black / Polycarbonate<br>Hard-coated dome |
| RAL Code                    | RAL9003   |
| Product Dimensions / Weight | ø158x293.3mm(ø6.22x11.55"), 3100g(6.83lb)                                   |
| Hanging Mount (Dome)        | SBP-156HMW  |
| Ceiling Mount (Assy)        | SBP-156CMW, SBP-300CMTS, SBP-300CMW1/900CMW, SBP-150CMI/300CMI              |
| Wall Mount                  | SBP-156WMW, SBP-390WMW2   |
| Pole Mount                  | SBP-300PMW2   |
| In-ceiling Mount            | SHP-1563FPW/FW  |
| Parapet Mount               | SBP-156LMW, SBP-300LMW  |
| Corner Mount                | SBP-156KMW, SBP-300KMW1   |
| Cabinet                     | SBP-300NBW  |
| Other Compatible Models     | SPB-PTZ85W  |

### Certifications & Standards

|             |  |
|-------------|--|
| EMC         | FCC 47 CFR 15 Subpart B Class A<br>IC Regulation ICES-003 Issue 7 Class A<br>CE/UKCA<br>- EN 55032 Class A, EN 50130-4, EN 61000-3-2, EN 61000-3-3<br>VCCI CISPR 32 Class A<br>RCM AS/NZS CISPR 32 Class A |
| Safety      | UL 62368-1, CAN/CSA C22.2 NO. 62368-1<br>IEC/EN 62471  |
| Environment | IEC/EN 63000<br>IEC/EN 60529 IP66, IEC/EN 62262 IK10   |

### DORI (EN62676-4 standard)

|                           |  |
|---------------------------|--|
| Detect (25PPM/ 8PPF)      | Wide: 60.7m(199.1ft) / Tele: 1921.3m(6303.4ft) |
| Observe (63PPM/ 19PPF)    | Wide: 24.3m(79.6ft) / Tele: 768.5m(2521.4ft)   |
| Recognize (125PPM/ 38PPF) | Wide: 12.1m(39.8ft) / Tele: 384.3m(1260.7ft)   |
| Identify (250PPM/ 76PPF)  | Wide: 6.1m(19.9ft) / Tele: 192.1m(630.3ft)     |

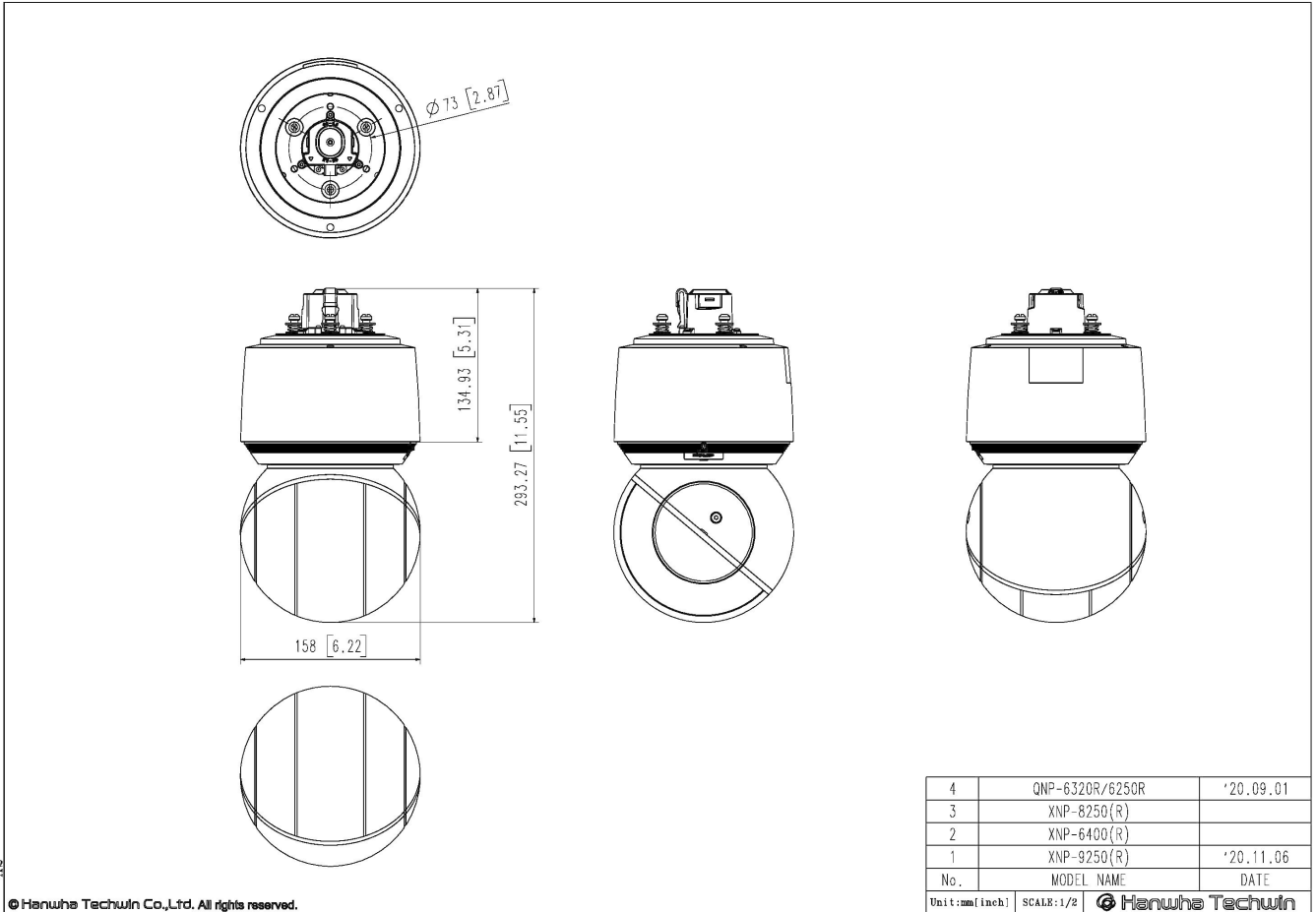
# QNP-6320R

2MP 32x IR PTZ Camera



CAD

Unit:mm [inch]



A2

© Hanwha Techwin Co.,Ltd. All rights reserved.