

NOTES:
MATERIAL: BLACK PLASTIC

PLAN ELEVATION

3-OFF Ø7 HOLES EQUALLY SPACED ON A Ø75 PCD TO SUIT WEC TRI DISC

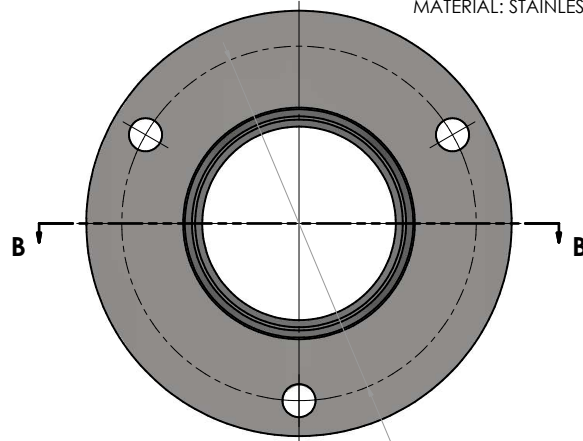


1 1/2" NPT
INTERNAL THREAD

SECTION - A-A (1.25 : 1)



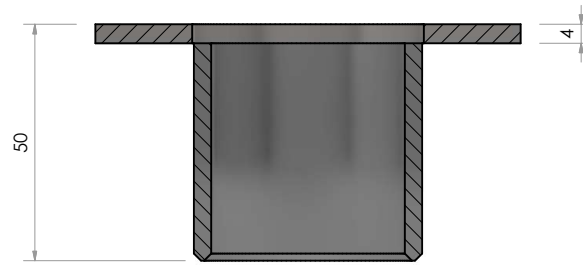
1.5" NPT SOCKET



NOTES:
MATERIAL: STAINLESS STEEL

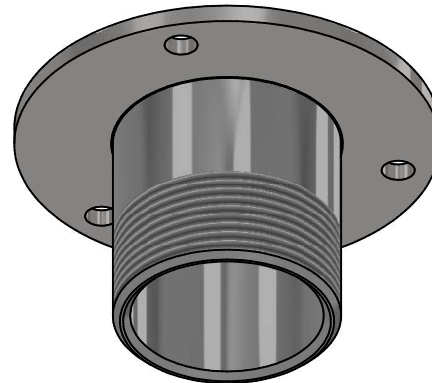
PLAN ELEVATION

3-OFF Ø7 HOLES EQUALLY SPACED ON A Ø75 PCD TO SUIT WEC TRI DISC

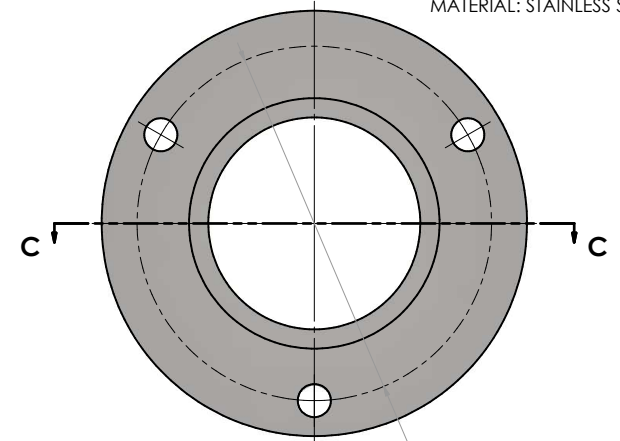


1 1/2" NPT
EXTERNAL THREAD

SECTION - B-B (1.25 : 1)



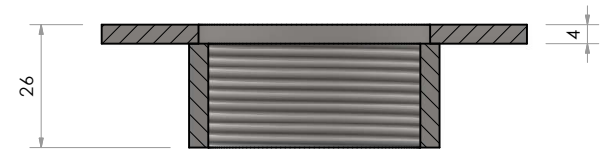
1.5" NPT NIPPLE



NOTES:
MATERIAL: STAINLESS STEEL

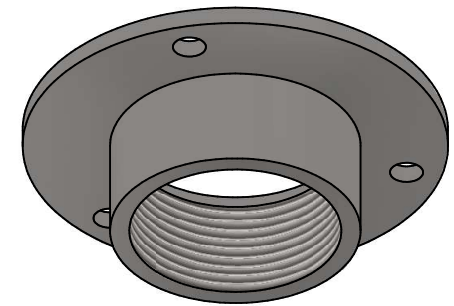
PLAN ELEVATION

3-OFF Ø7 HOLES EQUALLY SPACED ON A Ø75 PCD TO SUIT WEC TRI DISC




1 1/2" PF/G/BSP
INTERNAL THREAD

SECTION - C-C (1.25 : 1)



1.5" PF / G / BSP SOCKET

DRAWN BY: J.Keen DATE: 31/05/2023 DIMENSIONS: MM PROJECTION: 1ST ANGLE	 CCTV <small>This drawing / document is copyright and sale property of WEC Group Ltd. Therefore as such the contents may not either in whole or in part be passed to a third party without first obtaining permission from WEC Group Ltd.</small>	TITLE: DOME CAMERA ADAPTORS CUSTOMER: DO NOT SCALE IF IN DOUBT ASK DRAWING No: WEC-310523-JK1 ISSUE: 02 SIZE: A2
SHEET 1 OF 2		