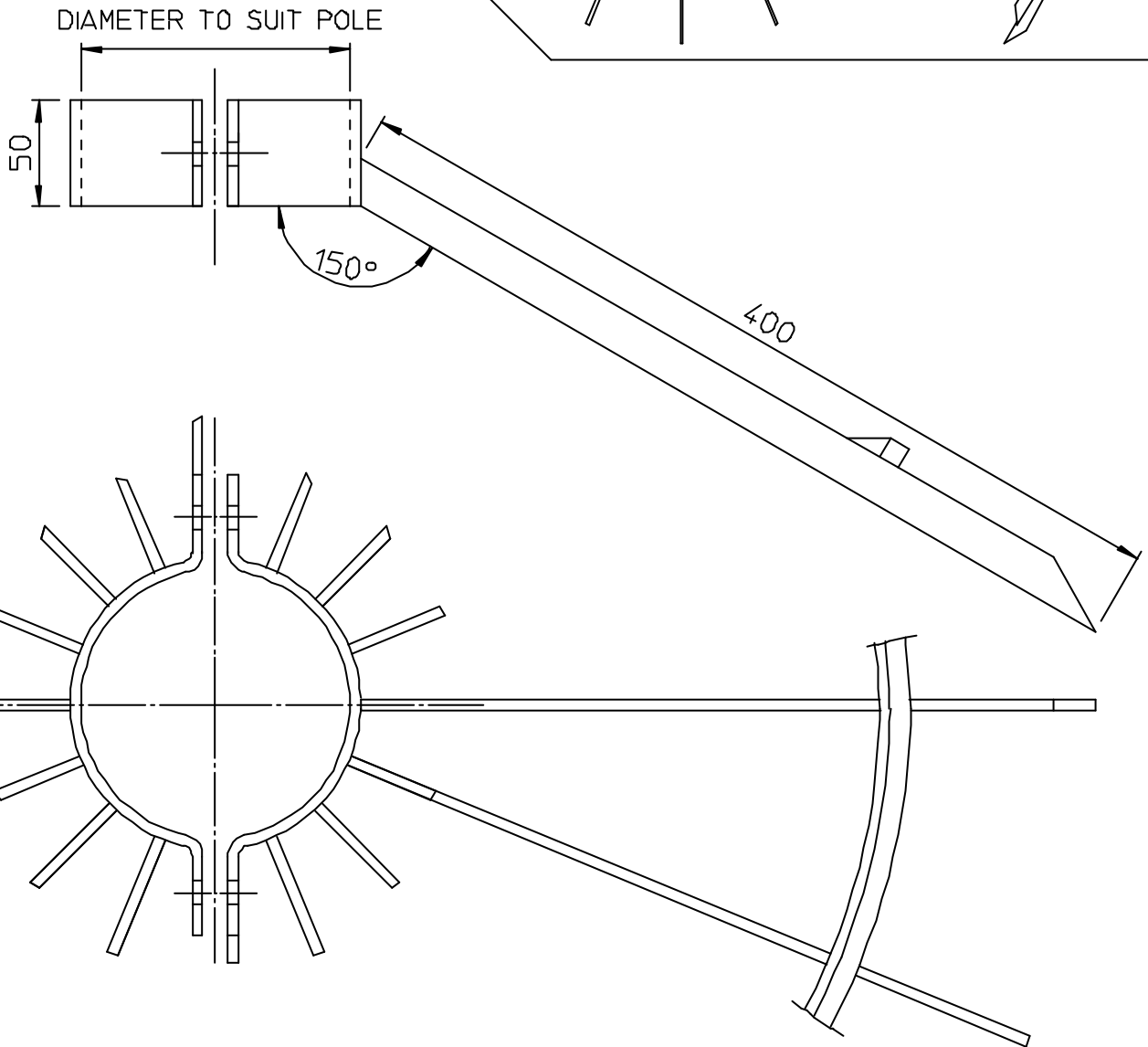
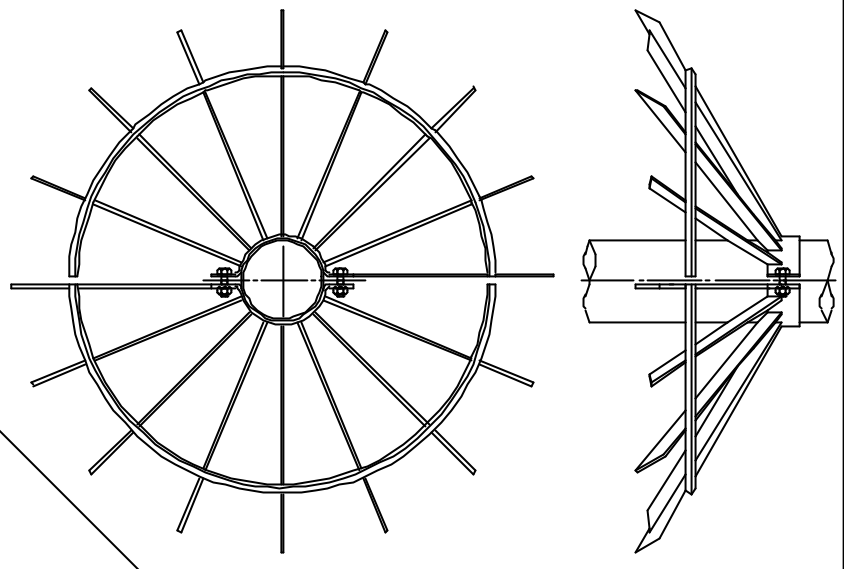


ANTI CLIMB GUARD FOR
CIRCULAR POLES, COLUMNS
AND BRACKETS

ACB2/ _____ (SECTION SIZE)



| | | | | |
|---|-----------------|------------------------------|---|-----------|
| 1ST ANGLE PROJ | UNITS - mm | CUSTOMER | JOB / ORDER NUMBER | |
| DIMENSION TOL'CE | ANGLE TOL'CE | MATERIAL MILD STEEL | TREATMENT OR FINISH GALVANISE TO BS 729 1971 | |
| GENERAL SURFACE FINISH | SCALE 1:3.33 | ASSEMBLY No. | No OFF PER ASSY | PART No |
| DESCRIPTION CIRCULAR ANTI CLIMB GUARD ACB2/ _____ | | DRAWING No WEC-001-0218-1 | | A4 |
| DRAWN <i>S. Hartley</i> | CHECKED | DATE 2-Nov-98 | SUPERSEDES | |
| WELDING ENGINEERING LTD, BRITANNIA HOUSE, JUNCTION STREET, DARWEN, LANCASHRE BB3 2RB TEL (01254) 773718 FAX (01254) 873637 | | | | |
| ALL RIGHTS STRICTLY RESERVED REPRODUCTION OR ISSUE TO THIRD PARTIES IN ANY FORM WHATEVER IS NOT PERMITTED WITHOUT WRITTEN AUTHORITY FROM THE PROPRIETORS. | | | | |