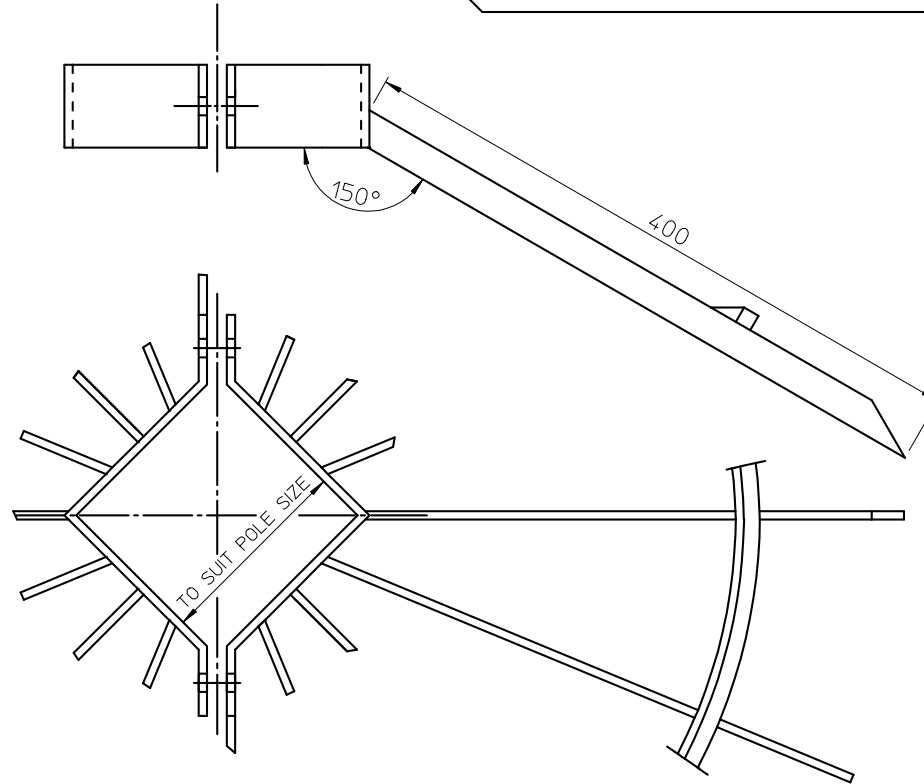
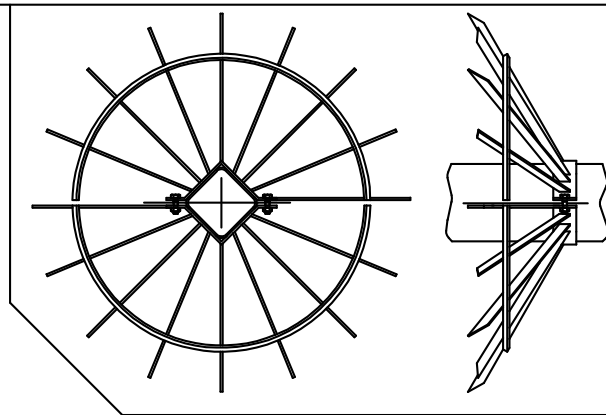


ANTI CLIMB GUARD FOR
SQUARE POLES, COLUMNS
AND BRACKETS
ACB3/_____ (SECTION SIZE)



1ST ANGLE PROJ 	UNITS:- mm	CUSTOMER	JOB / ORDER NUMBER	
DIMENSION TOL'CE	ANGLE TOL'CE	MATERIAL MILD STEEL	TREATMENT OR FINISH GALVANISE TO BS 729 : 1971	
GENERAL SURFACE FINISH 	SCALE 1:3.33	ASSEMBLY No.	No. OFF PER ASSY.	PART No.
DESCRIPTION SQUARE ANTI CLIMB GUARD ACB3/_____		DRAWING No. WEC-001-0219-1		A4
DRAWN <i>M. Horsley</i>	CHECKED	DATE 29-Aug-20	SUPERSEDES	
WELDING ENGINEERING LTD, BRITANNIA HOUSE, JUNCTION STREET, DARWEN, LANCASHIRE BB3 2RB. TEL: (01254) 773718 FAX: (01254) 873637				
ALL RIGHTS STRICTLY RESERVED. REPRODUCTION OR ISSUE TO THIRD PARTIES IN ANY FORM WHATEVER IS NOT PERMITTED WITHOUT WRITTEN AUTHORITY FROM THE PROPRIETORS.				