

Excavate hole according to height of column to be supplied.

See below:

- Up to 4 metres – 1000 x 1000 x 450 deep
- Up to 5 metres – 1200 x 1200 x 600 deep
- Up to 6 metres – 1200 x 1200 x 600 deep
- Up to 8 metres – 1500 x 1500 x 750 deep

Assemble root base as shown - See Figure 1.

Insert root base into hole ensuring that it is level and that the four studs protrude 50mm above concrete foundation

Fit Suitable cable duct if routing via the interior of the pole.

Pour concrete ensuring that it is a mix of C35 to Table 6 BS 8110 and then tamp down well.

Double check that the setting template and studs, are level and that clear access can be gained to the cable duct if being used.

Leave the concrete to cure for a minimum of 72 hours prior to attempting to erect the column.

When fitting the column ensure that the concrete base is in complete contact with the underside of column and grout accordingly if required.

When the column has been fitted, protect the studs with a suitable protective coating. Denzo tape or similar is recommended for this.

Important Note!

These concrete plinth designs are based upon an assumed safe bearing pressure of the supporting stratum of 50 KN/square metre.

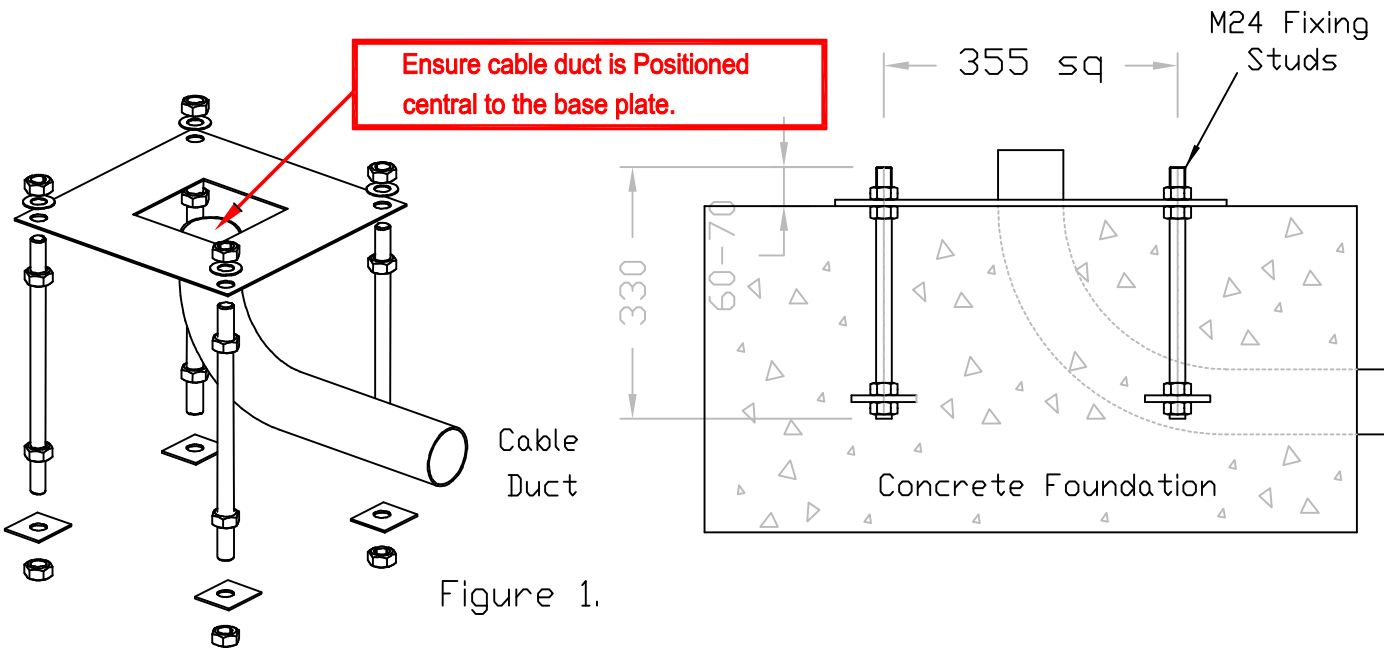
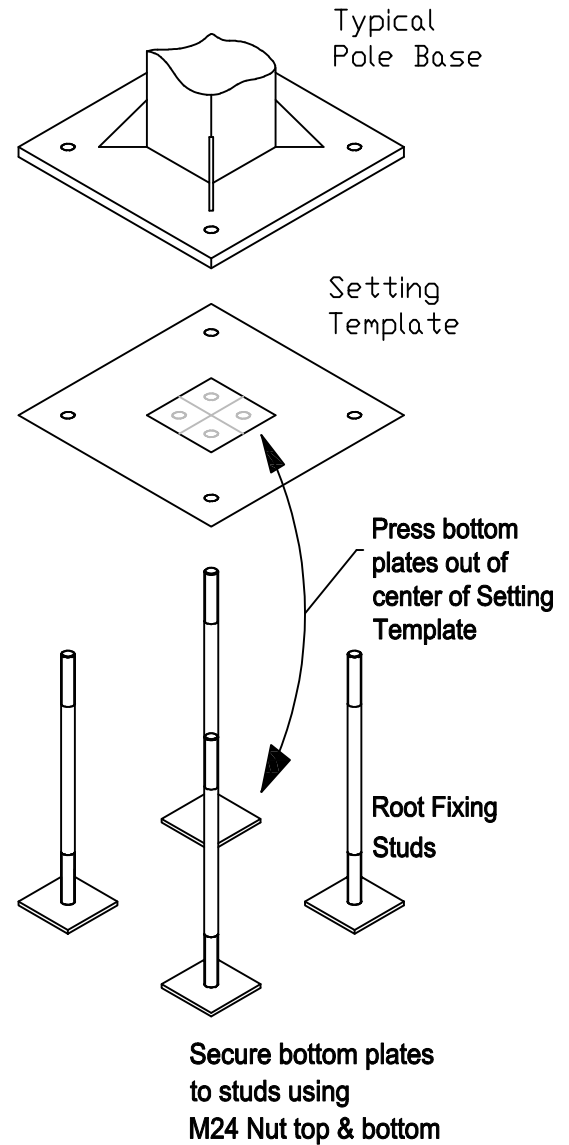


Figure 1.

This drawing / document is copyright and sole property of WEC Group Ltd. Therefore as such the contents may not either in whole or in part be passed to a third party without first obtaining permission from WEC Group Ltd.

ITEM Dims = mm Quality Standard: BS EN 1090 / Execution Class: EXC1 Scale: Not to scale

DRN **JAK** CHKD 25.10.21

CUSTOMER:



WEC Group Limited

CCTV- Division -
 Britannia House, Junction street Darwen Lancashire BB3 2RB
 Tel: 01254 700200 Fax: 01254 873637
 Website: WWW.WEC.uk.net - Email: all@wec.uk.net

ANGLE PROJECTION



TITLE: **FM4H ROOT BASE FIXING**

DRG NO **WEC-001-0541-07** ISS **01**