

**WUB WEC Winch Unit Type B**

This winch unit is designed and tested for use exclusively with the following WEC products and equipment:-

- WD4 WD6
- Tilt over lattice towers.
- TP4S TP5T TP6S
- Demountable Columns.
- TP4T TP5T TP6T
- Demountable Columns.

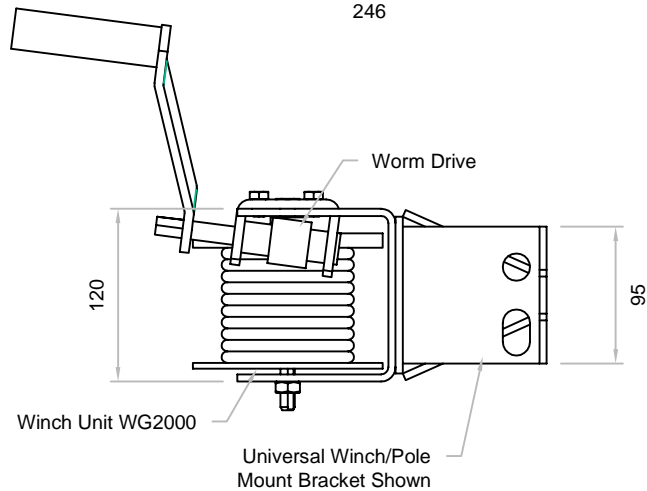
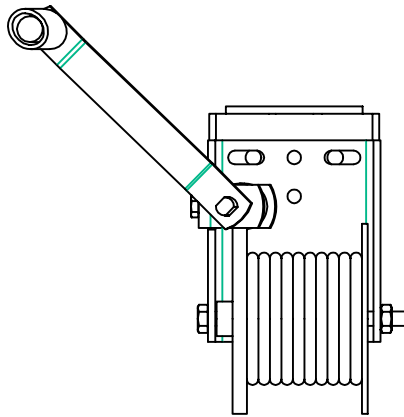
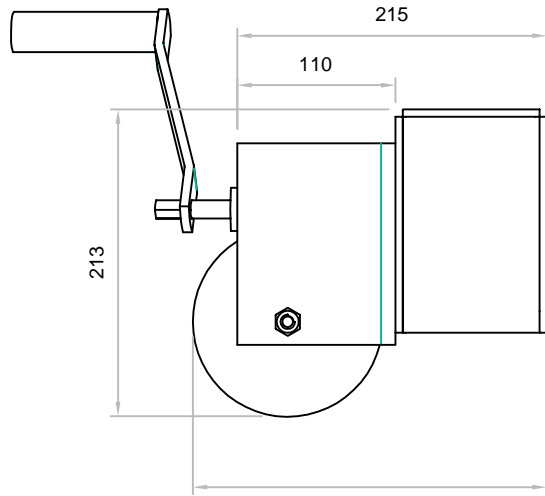
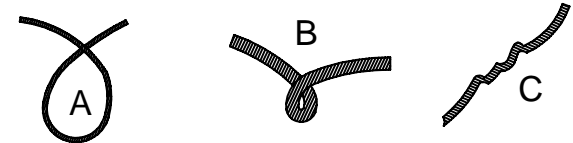
**DO NOT USE ON ANY OTHER PRODUCTS THAN THOSE STATED.**

It is imperative that all operators are fully conversant with the operation and procedures of the product that the winch is to be used upon.

WEC recommends Winch Training and offers suitable courses for operators

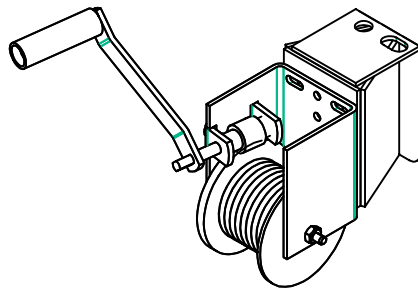
**Recognising Kinks:**

- A) This is the start of a kink. At this time, the wire rope should be straightened.
- B) The wire rope was pulled and the loop has tightened to a kink. The wire rope has now been damaged and must be replaced.
- C) Kinking causes the wire rope strands under the greatest tension to break and thus reduces the load capacity of the wire rope. The wire rope must be replaced.



**Maintenance:**

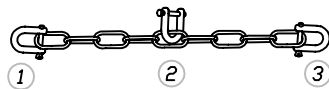
- 1) Grease the main gear wheel on a regular basis.
- 2) Inspect the winch cable for signs of damage or deterioration with every operation.



**3D Perspective**

**SAFETY CHAIN NOTE:**

When using on lattice towers use full length of chain (1 - 3)  
 When using on columns use half length of chain (1 - 2)



Notes:

WEC Dimensions = mm Quality Standard: BS EN 1090 / Execution Class: EXC1 Scale: Not to scale

DRN: **JK** CHKD 23/10/17 CUSTOMER:

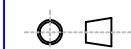


*This drawing / document is copyright and sole property of WEC Group Ltd. Therefore as such the contents may not either in whole or in part be passed to a third party without first obtaining permission from WEC Group Ltd.*

**WEC Group Limited**

CCTV- Division:  
 Britannia House, Junction street, Darwen, Lancashire BB3 2RB  
 Tel: 01254 700200 Fax: 01254 873637  
 Website: www.wec.uk.net - Email: all@wec.uk.net

ANGLE PROJECTION



TITLE: WUB Winch Unit Type B Light Duty Hand Winch

DRG NO: **WEC - 008 - 0648** ISS: **02**